

powered by:

heat
processing www.heat-processing.com

11
102
1004

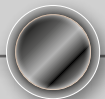
Leibniz
Universität
Hannover



XVIII International UIE-Congress

**ELECTROTECHNOLOGIES
FOR MATERIAL PROCESSING**

Courtyard by Marriott Hannover Hotel (Germany), June 6 - 9, 2017



Platinum



Gold



Silver

Sponsors' packages 2017

www.uie2017.org

Contact data:

Vulkan-Verlag GmbH
Friedrich-Ebert-Straße 55
45127 Essen, Germany

Ute Perkovic
Tel. +49 201 82002 24 | Fax +49 201 82002 40
e-mail: u.perkovic@vulkan-verlag.de



Platinum sponsor

The platinum sponsor's package is exclusive to one company and includes:

- Your company logo on all print and on-line advertising media
- One ad in the congress proceedings
- Production for one roller banner, to be provided at the event, please supply your data to us by the respective advertising deadline
- One exhibitor's table
- One printed supplement for the participant's folder (max. 16 pages, up to DIN A4 format): Production/supply by the platinum sponsor
- One give-away for the participants' folders: Production/supply by the platinum sponsor
- Free-of-charge participation for two persons from your company

Price: € 10,000.-

Company logo

Ad

Roller banner

Exhibitor's table

Supplement

Give-away

Free-of-charge
participants



www.uie2017.org





Gold sponsor

The gold sponsor's package includes:

- Your company logo on all print and on-line advertising media
- One ad in the congress proceedings
- Production for one roller banner, to be provided at the event, please supply your data to us by the respective advertising deadline
- One exhibitor's table
- Free-of-charge participation for one person from your company

Price: € 5,000.-



www.uie2017.org

Company logo

Ad

Roller banner

Exhibitor's table

Free-of-charge
participant





Silver sponsor

The silver sponsor's package includes:

- Your company logo on all print and on-line advertising media
- One ad in the congress proceedings
- Free-of-charge participation for one person from your company

Price: € 2,500.-



www.uie2017.org

Company logo

Ad

Free-of-charge
participant

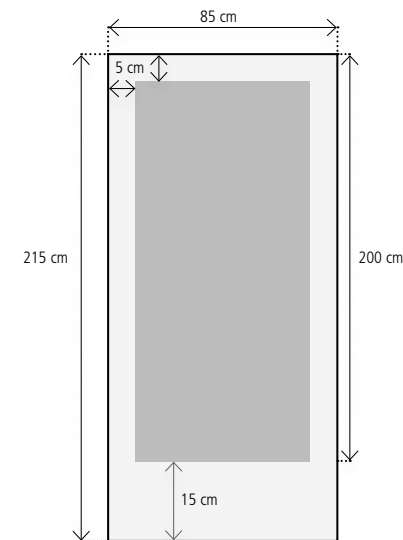


Sponsors' packages – Overview

	Platinum	Gold	Silver
• Your company logo on all print and on-line advertising media	✓	✓	✓
• One ad in the congress proceedings	✓	✓	✓
• Production for one roller banner, to be provided at the event, please supply your data to us by the respective advertising deadline	✓	✓	
• One exhibitor's table	✓	✓	
• One printed supplement for the participant's folder (max. 16 pages, up to DIN A4 format): Production/supply by the platinum sponsor	✓		
• One give-away for the participants' folders: Production/supply by the platinum sponsor	✓		
• Free-of-charge participation for one person from your company	✓	✓	✓
• One extra free-of-charge participation for one person from your company	✓		

Roller banner – Technical data

- Format:** Visible area (W x H) 85 cm x 200 cm + 15 cm at bottom (cassette),
ultimate PDF-file format: (W x H) 85 cm x 215 cm (plus 5 mm bleed)
- Submission of data:**
- Print-capable PDF/X-3
 - Ensure spacing of not less than 5 cm between logo/text and outer edge.
 - InDesign joboptions can be found at www.di-verlag.de/services
- Scale:**
- Create vector and pixel data on a scale of 1:10
- Resolution:**
- Not less than 600 dpi, maximum: 1,400 dpi
- Print process:**
- 4-colour halftone in acc. with your original
(special colours will be converted to CMYK).
- Layout processing:** Submission in the following file-formats may cause additional processing costs. We will contact you if this is the case:
- InDesign CS3
 - Photoshop CS3
 - Illustrator CS3
 - MS Word 2010



Please submit data (max. 20 MB) to
u.perkovic@vulkan-verlag.de
by not later than **5 May 2017**.