

Exhibitors' Packages 2017

Showcase your company **systematically** and **professionally**!



XVIII International UIE-Congress

ELECTROTECHNOLOGIES FOR MATERIAL PROCESSING

Courtyard by Marriott Hannover Hotel (Germany), June 6 - 9, 2017

powered by:

heat
processing

www.heat-processing.com



Leibniz
Universität
Hannover

Exhibition area

A table-top display exhibition area will be offered for participants from industry and research institutions for presentation of their products, solutions and services. Please contact: Mrs Ute Perkovic, email: u.perkovic@vulkan-verlag.de

Further information

More information about the XVIII International UIE-Congress 2017 will be available from the Congress Office:

UIE-2017 Congress Office
Institute of Electrotechnology
Leibniz Universität Hannover
Wilhelm-Busch-Strasse 4
D-30167 Hannover (Germany)
Phone: +49 511 762 2872 / 3248 / 5533
Fax: +49 511 762 3275
email: uie2017@etp.uni-hannover.de

or at the following URL address:

www.uie2017.org

Main Topics:

- Material processing by heating and melting
- Magnetohydrodynamics in industrial processes
- Solidification in metallurgical and semi-conductor processes
- Microwave and RF material processing
- Production processes for innovative materials and products
- Process control and optimization
- Industry 4.0 in electromagnetic processing
- Energy efficiency and sustainability of industrial thermal processes

Time and Location

The Congress will be held in **Hannover** (Germany) on **June 6 - 9, 2017** in the **Courtyard by Marriott Hannover Hotel**, which is right on the beautiful lake Maschsee. This modern hotel is located near the city centre and not far away from the royal gardens and the historic town hall.

The city of Hannover is the economic, cultural and scientific centre of Lower Saxony.



Specialist exhibition from 7 June to 9 June 2017

Please note that the display of advertising materials is allowed only on the booked exhibition table and only for „Premium“ customers.

PREMIUM

Price
 € 2,800.–

**Be sure to get one of the
 much desired exhibition tables!**

The package includes:

- One table, 140 x 70 cm (W x D)
- Up to two chairs
- One roller banner (85 x 200 x 18 cm – W x H x D)
 Production + exhibition surface
- Participation in the event, inc. congress documentati-
 on and catering, for one person

Optional extras:

- Your 1/1 page ad,
 4c, in the congress
 proceedings at the
 special rate of € 500.–



www.uie2017.org

CLASSIC

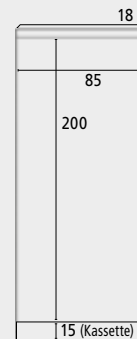
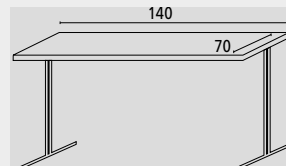
Price
 € 1,500.–

The package includes:

- One roller banner (85 x 200 x 18 cm - W x H x D)
 Production + exhibition surface
- The roller banners are packed in a practical
 carrying case
- Participation in the event, inc. congress
 documentation and catering, for one person

Optional extras:

- Your 1/1 page ad,
 4c, in the congress
 proceedings at the
 special rate of € 500.–



Showcase your company systematically and professionally!

We hereby order:

PREMIUM € 2,800.–

CLASSIC € 1,500.–

Optional Extras: 1/1 Page Ad
 4c in congress proceedings € 500.–

Given name and family name of participant

Company/institution

Street/POB

No.

Country, zip code, town/city

Telephone

Telefax

e-mail

Given name and family name of customer

✗

Place, date, signature

up

For more information and for registration, contact:

u.perkovic@vulkan-verlag.de

Program

Tuesday, June 6, 2017

17.00 – 21.00 Registration und Welcome Reception

Wednesday, June 7, 2017

09.00 – 09.30 Opening Ceremony

09.30 – 11.00 Plenary Session I (Keynote Presentations)

- **UIE – Past & Future**
- **An insight into steelmaking processes by computational fluid dynamics**
- **Induction Heating: The Day After Tomorrow (American Prospective)**

11.00 – 11.30: Coffee break + Exhibition of Companies

11.30 – 12.30 Plenary Session II (Keynote Presentations)

- **Internet of things – the brave new world of thermoprocessing?**
- **Magnetic stirring and sonication of metal melts**

12.30 – 13.30 Lunch break + Exhibition of Companies

Parallel Sessions

13.30 – 15.10 **Melting processes / Induction heating**

15.10 – 15.50 Coffee break + Exhibition of Companies

15.50 – 17.30 **Cold crucible furnace / Induction hardening**

17.30 – 18.30 Poster Session

Thursday, June 8, 2017

Parallel Sessions

09.00 – 10.40 **Continuous casting / Induction heat treatment**

10.40 – 11.10 Coffee break + Exhibition of Companies

11.10 – 12.50 **Crystal growth / Induction strip heating**

12.50 – 13.50 Lunch break + Exhibition of Companies

Parallel Sessions

13.50 – 15.30 **Electromagnetic processing of materials / Induction billet heating**

15.30 – 16.00 Coffee break + Exhibition of Companies

16.00 – 17.40 **Magnetohydrodynamics / Industry 4.0**

19.00 – 23.00 Congress Dinner in the Historical Town Hall

Friday, June 9, 2017

Parallel Sessions

09.00 – 10.40 **Solidification processes / Process control**

10.40 – 11.10 Coffee break + Exhibition of Companies

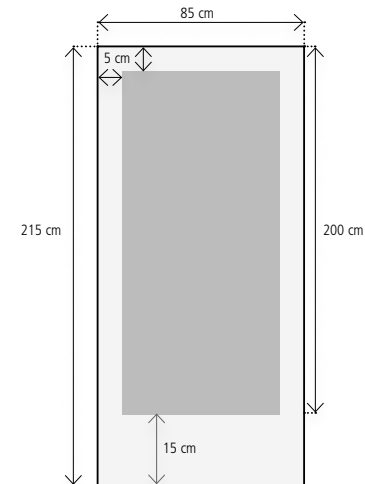
11.10 – 12.40 **Measurement technique / Sustainable processes**

12.40 – 13.00 Closing Ceremony

13.00 – 14.00 Lunch break + Exhibition of Companies

Roller banner – Technical data

- Format:** Visible area (W x H) 85 cm x 200 cm + 15 cm at bottom (cassette),
ultimate PDF-file format: (W x H) 85 cm x 215 cm (plus 5 mm bleed)
- Submission of data:**
- Print-capable PDF/X-3
 - Ensure spacing of not less than 5 cm between logo/text and outer edge.
 - InDesign joboptions can be found at www.di-verlag.de/services
- Scale:**
- Create vector and pixel data on a scale of 1:10
- Resolution:**
- Not less than 600 dpi, maximum: 1,400 dpi
- Print process:**
- 4-colour halftone in acc. with your original
(special colours will be converted to CMYK).
- Layout processing:** Submission in the following file-formats may cause additional processing costs. We will contact you if this is the case:
- InDesign CS3
 - Photoshop CS3
 - Illustrator CS3
 - MS Word 2010



Please submit data (max. 20 MB) to u.perkovic@vulkan-verlag.de
by not later than **5 May 2017**.

For more information, please contact Ute Perkovic:
Tel.: +49 201 82002-24, e-mail: u.perkovic@vulkan-verlag.de